

EA_Gatekeeper model 2230 Sierra Wireless LTE-ready kit

Installation instructions
IL42-5041B

General

NOTICE

For information on placing the gatekeeper into service, see the EA_Gatekeeper model 2210 installation instructions (IL42-5039).

For information on configuring the modem, see the Honeywell product guide for configuring the GX450 (PG42-1051).

This instructional leaflet provides detailed instructions on installing an EA_Gatekeeper model 2230 with a Sierra Wireless GX450 cellular modem using Honeywell hardware kit 1C12599G01. This hardware kit includes the following parts for installing external, low-profile antennas locally on the gatekeeper.

Item	Part Number	Quantity
698 MHz to 2700 MHz LTE low profile antenna, NMO	3A35573H01	2
Vandal proof NMO to N-female mount	3A35573H02	2
Cable, antenna, RX diversity, 9-inch	1B11954G01	1
Cable, antenna, primary cellular, 6-inch	1B11954G03	1
Cable, Ethernet, 20-inch	1B11989G02	1
Mounting bracket, Sierra Wireless GX450	1C12579H01	1
Lockwasher, split, #10, SS	3A35225H25	4
Screw, machine, #10-32, 1/2", SS	3A34635H17	4
Screw, self-drilling, #10-16 x 5/8", HEX head	3A35226H48	4

This hardware kit does not include the Sierra Wireless GX450 modem. It can be purchased from Sierra Wireless, normal distribution channels, or from Honeywell. Contact your Honeywell representative if additional assistance is required.

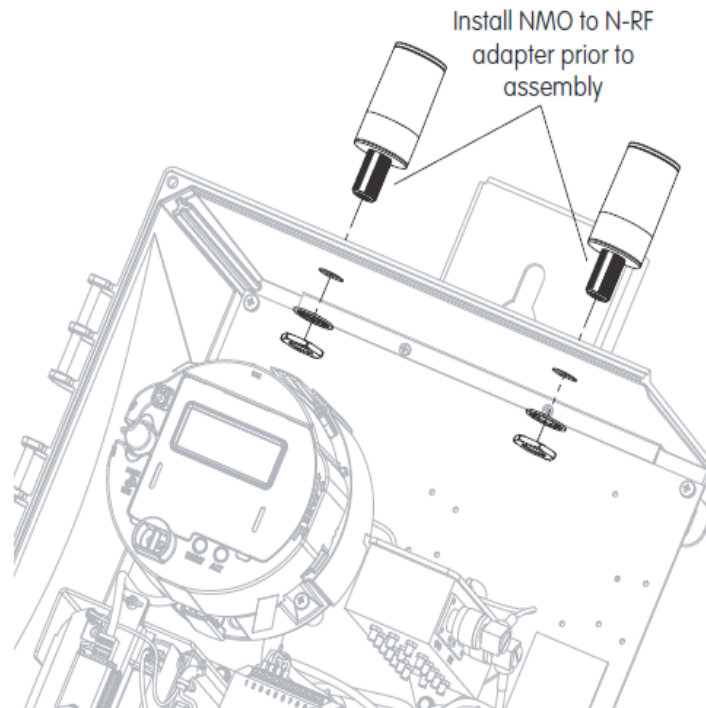
Hardware kit parts



Installing the GX450 modem

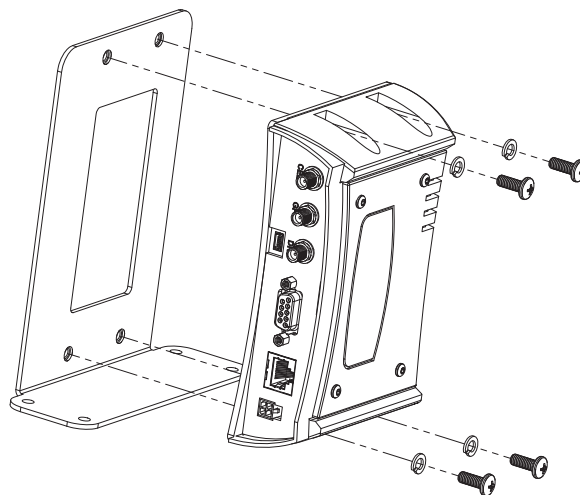
- 1 Install the NMO to N-RF terminal adapter into the low profile LTE antenna. The antenna comes with a rubber gasket that is not used for this application. Discard the rubber gasket. Follow the installation instructions that come with the NMO to N-RF terminal adapter to build the antenna assembly.
- 2 Install the antennas into the top service of the gatekeeper using the holes in the enclosure. Honeywell ships the gatekeeper with the mounting holes plugged.
 - a Remove the wing nuts securing the 2 hole plugs and discard the hole plugs. Insert the antenna assemblies as shown in Figure 2, ensuring that the gasket supplied with the NMO to N-RF terminal adapter is installed between the antenna base and the external surface of the enclosure.
 - b Apply the lock washer and jam nut and torque the nut to 40 inch-pounds.

Figure 1. Antenna installation



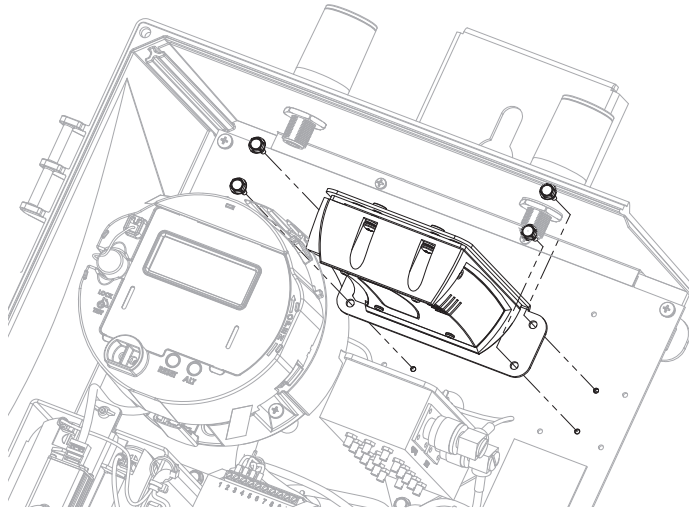
3 Install the Sierra Wireless GX450 modem to the modem bracket using the #10 lock washers and machine screws (see Figure 2). Torque to 20 inch-pounds.

Figure 2. Radio bracket



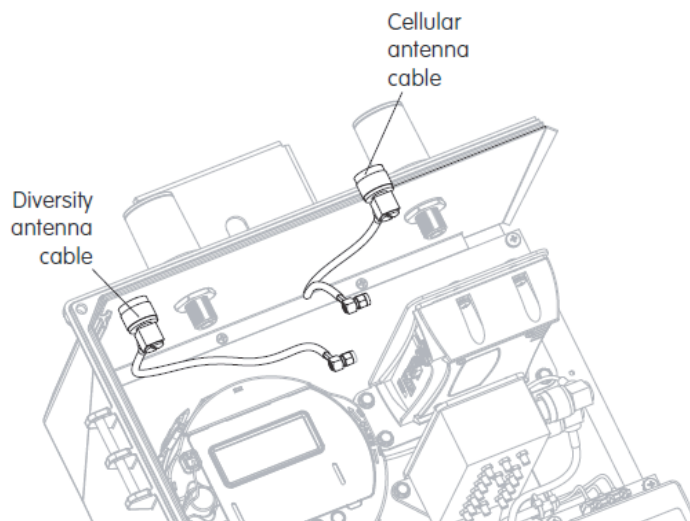
- 4 If your service provider requires a SIM card, install it. Follow the SIM card instructions provided with the Sierra Wireless GX450 documentation.
- 5 Install the modem and bracket assembly into the gatekeeper module. Align the holes in the bracket with the provided holes in the enclosure back panel. Secure in place using the supplied #10 self-tapping screws (see Figure 3). Torque to 20 inch-pounds.

Figure 3. Radio assembly



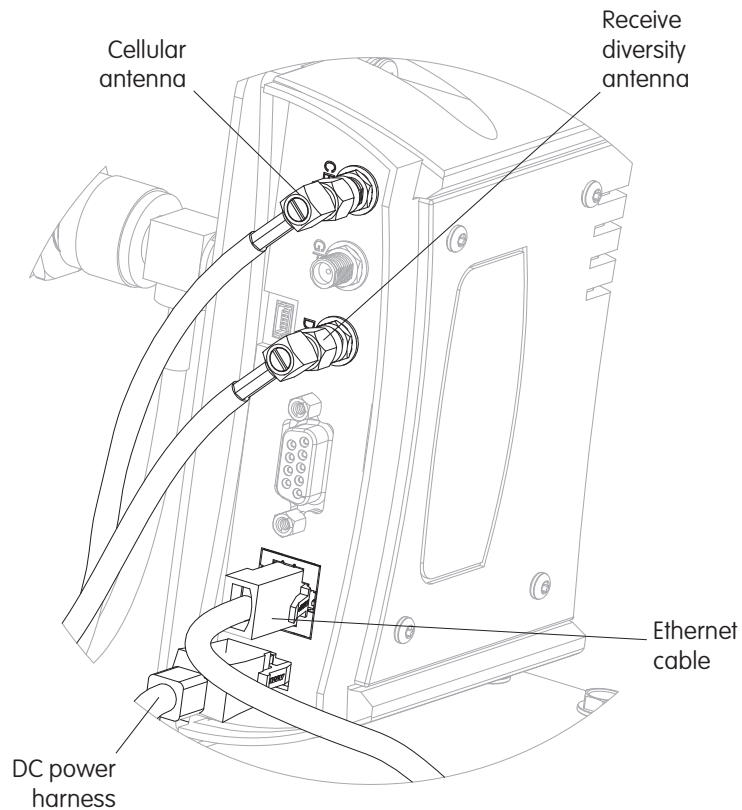
6 Install the RX diversity RF cable and the primary cellular cable to their corresponding antennas previously installed in the enclosure (see Figure 4). Tighten with soft-jaw pliers.

Figure 4. Antenna cable installation



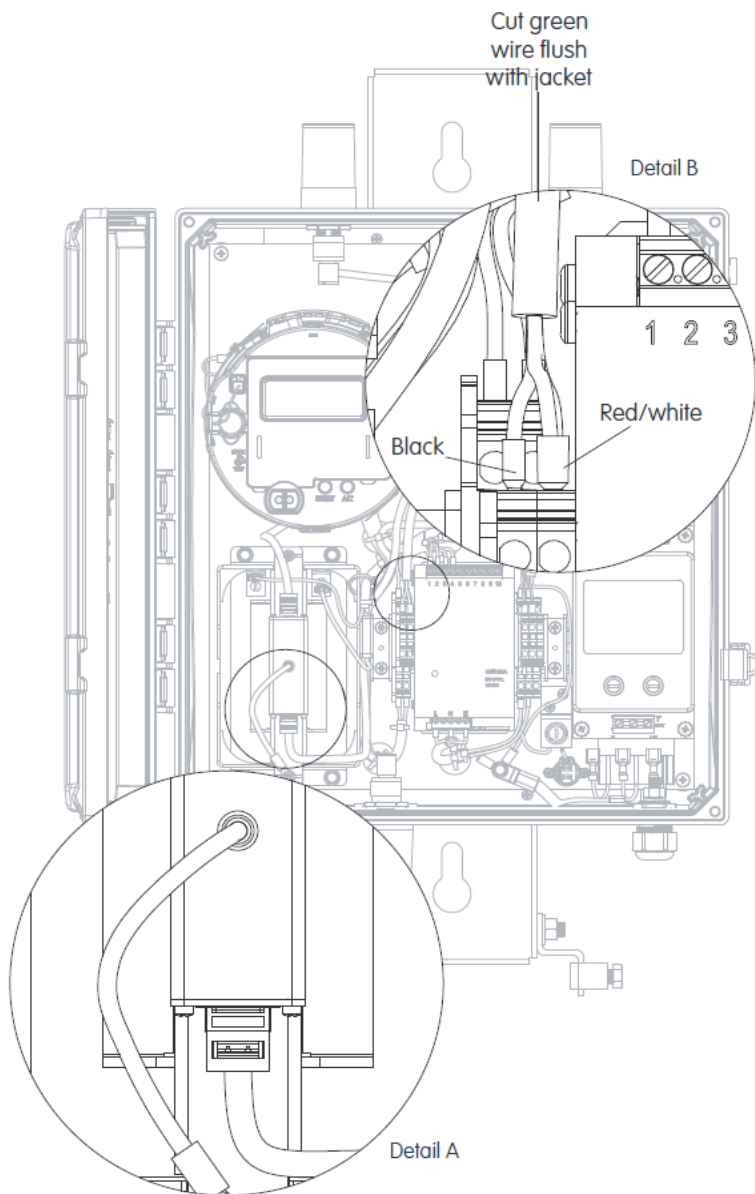
7 Plug the DC power cable, Ethernet cable, RX diversity RF cable, and the primary cellular RF cable into the Sierra Wireless interface ports (see Figure 5).

Figure 5. GX450 interface ports



- 8 Route the Ethernet cable between the electronics module and the RF cavity filter and alongside the battery bracket, terminating the RJ-45 connector into the bottom of the Ethernet transient surge suppressor (see detail A in Figure 6).
- 9 Route the modem DC power cable between the electronics module and the RF cavity filter to the top side of the DIN rail terminals located to the left of the power supply/battery charger. Cut, dress, and terminate the power cable (see detail B in Figure 6).

Figure 6. Wiring details



DISCLAIMER OF WARRANTIES AND LIMITATIONS OF LIABILITY

There are no understandings, agreements, representations, or warranties either express or implied, including warranties of merchantability or fitness for a particular purpose, other than those specifically set out by any existing contract between the parties. Any such contract states the entire obligation of the seller. The contents of this document shall not become part of or modify any prior existing agreement, commitment, or relationship.

The information, recommendations, descriptions, and safety notices in this document are based on Elster Solutions, LLC experience and judgment with respect to operation and maintenance of the described product. This information should not be considered as all-inclusive or covering all contingencies. If further information is required, Elster Solutions, LLC should be consulted.

No warranties, either expressed or implied, including warranties of fitness for a particular purpose or merchantability, or warranties arising from the course of dealing or usage of trade, are made regarding the information, recommendations, descriptions, warnings, and cautions contained herein.

In no event will Elster Solutions, LLC be responsible to the user in contract, in tort (including negligence), strict liability or otherwise for any special, indirect, incidental, or consequential damage or loss whatsoever, including but not limited to: damage or loss of use of equipment, cost of capital, loss of profits or revenues, or claims against the user by its customers resulting from the use of the information, recommendations, descriptions, and safety notices contained herein.