

Pole-mounting bracket installation instructions

For EA_Gatekeeper models 2110/2111

General

⚠ WARNING

Do not disassemble the EA_Gatekeeper enclosure, service the gatekeeper unit, or service the components inside the unit with power present. Use authorized utility procedures to install and service equipment. Dangerous voltages are present. Equipment damage, personal injury, or death can result if safety precautions are not followed.

NOTICE

For optimal performance of the LAN antenna, Elster recommends that the EA_Gatekeeper be installed so that the enclosure is at least 5 feet (1.5 meters) off the ground. Failure to meet the minimum ground clearance can result in degraded performance of the gatekeeper communications within the EnergyAxis System.

The EA_Gatekeeper supports different mounting options, including mounting on 18-foot (5-meter) to 35-foot (11-meter) utility poles and telephone poles. The gatekeeper may have been shipped with the necessary hardware to support your mounting option, or your utility may have ordered it separately as a pole mounting kit.

The following table lists the material necessary to mount the gatekeeper to a utility pole. Make sure you have all the equipment necessary before beginning the installation and visually inspect all parts for any damage during shipment. Contact Elster for replacement parts for any damaged or missing items.

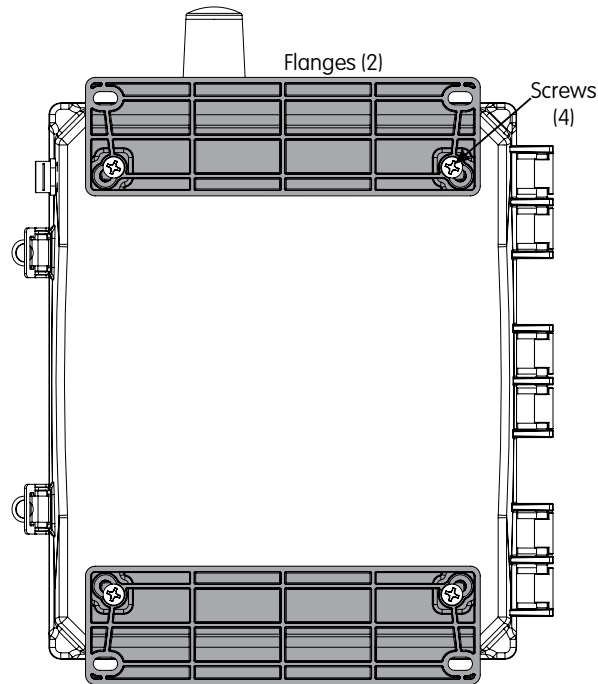
Item	Quantity	Style number
Bracket, pole mount, 10 × 12 enclosure	1	5D25916H01
Screw, hex, SS 1/4-20 × 1/2 inch	4	3A35226H11
Lockwasher, 1/4-inch, split ring	4	3A35225H01
Ground lug		
Bracket lug	1	3A35277H01
Bracket lug bolt	1	3A34995H02
Hex nut, 3/8-24	1	3A35122H04
Washer, flat, 3/8 inch	2	3A35225H09
Lockwasher (ext tooth), 3/8 inch	1	3A35225H07

Installing the pole mounting bracket

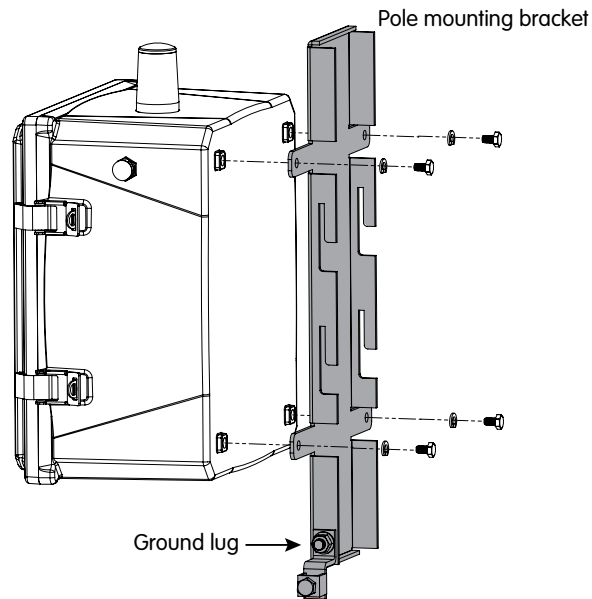
Before you can mount the EA_Gatekeeper on the utility pole, you must first mount the pole mounting bracket to the gatekeeper.

Use the following procedure to mount the pole mounting bracket:

1. Remove the screws and flanges from the back of the EA_Gatekeeper assembly. The screws and flanges are no longer needed. Dispose of the screws and flanges according to utility practices.



2. Position the pole mounting bracket so that the orientation matches the following illustration. Be sure that the ground lug is in the correct position.



3. Insert the washer and the hex nuts to secure the pole mounting bracket to the back of the EA_Gatekeeper. Torque each hex nut to 20 inch-pounds (2.3 N-m).
4. Mount and secure the EA_Gatekeeper to the utility pole. Be sure to follow your utility's instructions for mounting and securing the EA_Gatekeeper at its installation location.

Notes

DISCLAIMER OF WARRANTIES AND LIMITATIONS OF LIABILITY

There are no understandings, agreements, representations, or warranties either express or implied, including warranties of merchantability or fitness for a particular purpose, other than those specifically set out by any existing contract between the parties. Any such contract states the entire obligation of the seller. The contents of this document shall not become part of or modify any prior existing agreement, commitment, or relationship. The information, recommendations, descriptions, and safety notices in this document are based on Elster experience and judgment with respect to operation and maintenance of the described product. This information should not be considered as all-inclusive or covering all contingencies. If further information is required, Elster should be consulted.

No warranties, either expressed or implied, including warranties of fitness for a particular purpose or merchantability, or warranties arising from the course of dealing or usage of trade, are made regarding the information, recommendations, descriptions, warnings, and cautions contained herein.

In no event will Elster be responsible to the user in contract, in tort (including negligence), strict liability or otherwise for any special, indirect, incidental, or consequential damage or loss whatsoever, including but not limited to: damage or loss of use of equipment, cost of capital, loss of profits or revenues, or claims against the user by its customers resulting from the use of the information, recommendations, descriptions, and safety notices contained herein.

