

# A3 ALPHA® meter with internal polyphase service control

## Installation instructions

### General

This instructional leaflet contains general installation instructions for the following:

- A3 ALPHA meters with the internal polyphase service control switch

For more information, see the Polyphase Service Control for the A3 ALPHA Meter product guide (PG42-1026).

---

### **▲ WARNING**

All meters are calibrated and tested before shipment. For proper installation, accuracy, and maximum life of the meters, use the following installation procedures.

Use authorized utility procedures to install and service metering equipment. Dangerous voltages are present. Equipment damage, personal injury, or death can result if safety precautions are not followed.

---

### Before you install

Before you install the meter, check the following:

- Are the socket and meter current class rating compatible with the meter?
- Is the wiring to the meter socket correct? See the wiring diagrams on "Installation wiring" on page 2.
- Is the TEST button in the unlocked position? If the TEST button is in the locked position, the meter will enter test mode when you install it. For more information, see the technical manual for the meter.

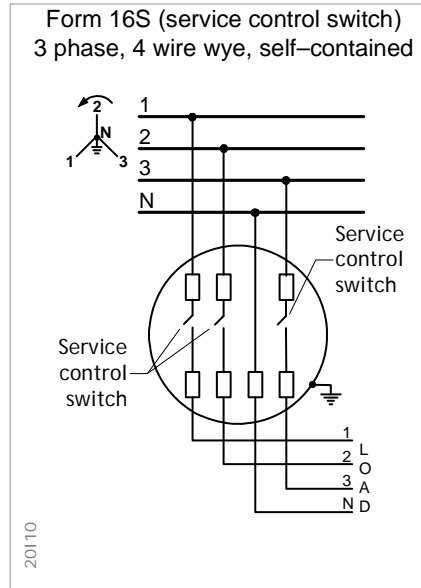
### After you install

After you install the meter, check the following:

- If all the phase indicators are blinking, then the service control switch is open.  
Remove the meter from the socket and follow utility established procedures to close the service control switch before attempting to install the meter again.
- If load is applied, check that the pulse arrows on the LCD are blinking.  
The LCD has 2 sets of pulse arrows, one located above the other. The upper set of arrows indicates watthours, and the lower set indicates alternate energy (kVARh or kVAh, if available). The arrows pointing to the left indicate energy received; arrows pointing to the right indicate energy delivered. For more information, see the technical manual for the meter.

## Installation wiring

The socket ground is shown for safety considerations. The neutral-to-ground connection is shown for example only. Actual neutral-to-ground connection should be performed within the operating utility's standard practice.



### DISCLAIMER OF WARRANTIES AND LIMITATIONS OF LIABILITY

There are no understandings, agreements, representations, or warranties either express or implied, including warranties of merchantability or fitness for a particular purpose, other than those specifically set out by any existing contract between the parties. Any such contract states the entire obligation of the seller. The contents of this document shall not become part of or modify any prior existing agreement, commitment, or relationship. The information, recommendations, descriptions, and safety notices in this document are based on Elster experience and judgment with respect to operation and maintenance of the described product. This information should not be considered as all-inclusive or covering all contingencies. If further information is required, Elster should be consulted.

No warranties, either expressed or implied, including warranties of fitness for a particular purpose or merchantability, or warranties arising from the course of dealing or usage of trade, are made regarding the information, recommendations, descriptions, warnings, and cautions contained herein.

In no event will Elster be responsible to the user in contract, in tort (including negligence), strict liability or otherwise for any special, indirect, incidental, or consequential damage or loss whatsoever, including but not limited to: damage or loss of use of equipment, cost of capital, loss of profits or revenues, or claims against the user by its customers resulting from the use of the information, recommendations, descriptions, and safety notices contained herein.

