

## Flush Mount Kit for A1800 ALPHA® Meters

### General

This instructional leaflet (IL) contains installation instructions for mounting an A1800 ALPHA meter in a semi-flush configuration. The mounting kit (style number 5D25524G01) contains a cover panel (5D25523H01), 2 brackets (1C11927H01), and all hardware necessary to mount any A1800 ALPHA meter in a semi-flush configuration. The hardware will accommodate panels up to 5 mm thick.

This IL only addresses the mounting of the meter. For output relays, optional communication interfaces, and additional information about the A1800 ALPHA meter, see the following documents:

- A1800 ALPHA Meter Installation Instructions (IL42-4203A or later)
- A1800 ALPHA Meter Technical Manual (TM42-2410C or later)

In addition, communication options may have their own documentation.

### Hardware Kit

Referencing the callouts in Figure 1, verify that the correct hardware, panels, etc. using the description and quantity listed below. Contact Elster if you discover missing or broken hardware.

| Description                         | Callout in Figure 1 | Quantity | Elster style number |
|-------------------------------------|---------------------|----------|---------------------|
| Cover plate                         | ①                   | 1        | 5D25523H01          |
| M5 × 0.8 mm × 12 mm pan head screw  | ②                   | 4        | 70005CC3DK          |
| M5 lockwasher                       | ③                   | 8        | 70550AA10P          |
| M5 hexnut                           | ④                   | 8        | 70250AC0AP          |
| M5 × 0.8 mm × 12 mm flat head screw | ⑤                   | 4        | 70005CC0DK          |
| Meter mounting bracket              | ⑥                   | 2        | 1C11927H01          |
| Meter bracket mounting screws       | ⑦                   | 4        | 3A34338H01          |
| Wire seal                           | ⑧                   | 2        | 1R0140H01           |
| Instructional leaflet               | –                   | 1        | IL42-4204           |

### Installation

#### NOTICE

It is the user's responsibility to apply the interface connectors correctly to use any communications features that may be supplied with the meter.

- 1.** Make the panel opening and drill the eight 5.6 mm holes according to the measurements shown on the mounting template. Countersink the 4 holes as identified on the template. The supplied hardware will accommodate panels up to 5 mm in thickness.
- 2.** Referencing Figure 1, mount the two brackets on the back of the meter using the 4-blind holes and the 4 self-threading screws (⑦). Be careful not to over-tighten to prevent stripping out of the plastic.
- 3.** Mount the meter to the back of the panel cut-out using the four M5 × 0.8 mm × 12 mm flat head screws (⑤), along with the lockwashers (③) and hexnuts (④) using the 4-countersunk holes. The holes should be countersunk adequately for the heads to be flush or below the surface.
- 4.** Remove the terminal cover by loosening the two captive screws.

#### ▲ WARNING

Use authorized utility procedures to install and service metering equipment. Dangerous voltages are present. Equipment damage, personal injury and death can result if safety precautions are not followed.

Use circuit closing devices on current transformer secondaries. Dangerous currents and voltages are present. Equipment damage, personal injury and death can result if circuit closing devices are not used.

(continued on back page)

**⚠ CAUTION**

The A1800 ALPHA meter does not have any built in circuit closing features. If local codes or particular utility practices call for test switches / circuit closing devices / etc., these should be installed between the service wires and the meter.

5. Bring the leads for voltage and current, and the connecting cables for relay and communications options to the meter terminals and secure them using the appropriate connections. Follow the wiring diagrams found on the back of the terminal cover or in the A1800 ALPHA Meter Technical Manual (TM42-2410).
6. Replace the terminal cover using the two captive screws to maneuver it into position on the meter. Tighten the screws and apply seals (as required).
7. Apply power to the installation and verify proper operation.
8. Place the cover plate over the meter lining up the holes. Use the four M5 × 0.8 mm × 12 mm pan head screws (2) using lockwashers (3) and hexnuts (4) to secure the cover plate (1) in place.

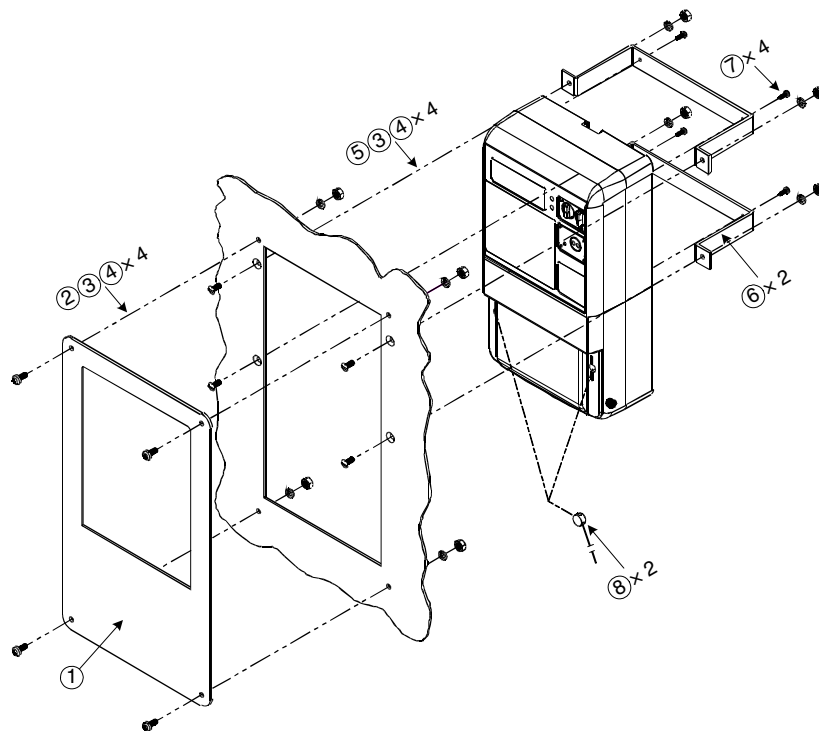


Figure 1. Installing the A1800 ALPHA meter using the flush mount kit

**DISCLAIMER OF WARRANTIES AND LIMITATIONS OF LIABILITY**

There are no understandings, agreements, representations, or warranties either express or implied, including warranties of merchantability or fitness for a particular purpose, other than those specifically set out by any existing contract between the parties. Any such contract states the entire obligation of the seller. The contents of this document shall not become part of or modify any prior existing agreement, commitment, or relationship.

The information, recommendations, descriptions, and safety notices in this document are based on Elster Electricity, LLC experience and judgment with respect to operation and maintenance of the described product. This information should not be considered as all-inclusive or covering all contingencies. If further information is required, Elster Electricity, LLC should be consulted.

No warranties, either expressed or implied, including warranties of fitness for a particular purpose or merchantability, or warranties arising from the course of dealing or usage of trade, are made regarding the information, recommendations, descriptions, warnings, and cautions contained herein.

In no event will Elster Electricity, LLC be responsible to the user in contract, in tort (including negligence), strict liability or otherwise for any special, indirect, incidental, or consequential damage or loss whatsoever, including but not limited to: damage or loss of use of equipment, cost of capital, loss of profits or revenues, or claims against the user by its customers resulting from the use of the information, recommendations, descriptions, and safety notices contained herein.

